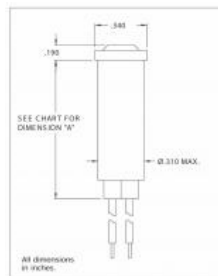


Products

Neon & Incandescent Indicators

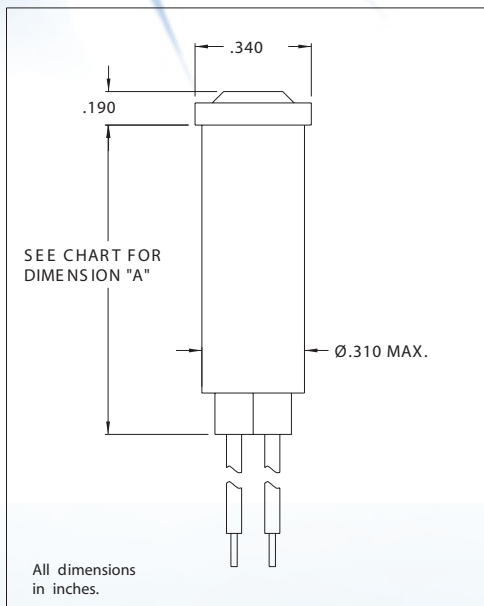
CML IT offers panel mount indicators manufactured with LED, Neon or Incandescent light sources. These indicators are available in a number of different lens and termination styles, with voltages of 2V ~ 250V available off-the-shelf.



Part Number: 2110AX2
Serial Number: 2110
Light Source: Neon
Color: Clear
Voltage (V): 125VAC
Mounting Hole (inch): 0.31
Mounting Hole (metric): 7.9
Termination: 4.5" 22 AWG wire
Bezel color: Black
Housing color: Black
UL file: E20325
CSA file: LR13346
RoHS Status: Yes

**2110A, 2111A, 2112A, 2113A and 2195A Series Non-Relampable
 Neon-Incandescent Indicator Lights**

DESCRIPTION AND FEATURES



Mounting: Ø.310 MIN., supplied with push-on speednut SN1287.
 Wire Leads: No.22 AWG (105°C) 4.40/4.80 long, stripped .430/.570
 Lens: Polycarbonate-neon transparent, incandescent-translucent
 Bezel: White nylon. For black finish add "X" after the series letter(s).
 Housing: White Nylon

Lens Color	Neon		Incandescent	
	Model No. (105-125VAC)	Model No. (208-250VAC)	Model No. (12V)	Model No. (28V)
Red	2110A1	2111A1	2195A1-12V	2195A1-28V
Clear	2110A2	2111A2	-	-
Amber	2110A3	2111A3	2195A3-12V	2195A3-28V
White	2110A4	2111A4	2195A4-12V	2195A4-28V
Green	2112A5*	2113A5*	2195A5-12V	2195A5-28V
Blue	2112A6**	2113A6**	-	-
Lamp used	C2A+R resistor	C2A+Resistor	#2162	#2187
Lead Color	Black	Black/Red	Yellow	Purple
"A" DIM	1.480	1.480	.740	.740

* Incorporates G2B lamp and resistor.

** Incorporates T2B lamp and resistor.

Underwriters Laboratories (UL) File No. E20325

Canadian Standards Association (CSA) File No. LR13346